

HİRA TESTING EQUIPMENT



AUTOGRAPHIC RECORDING TRAVELLING BEAM DEVICE

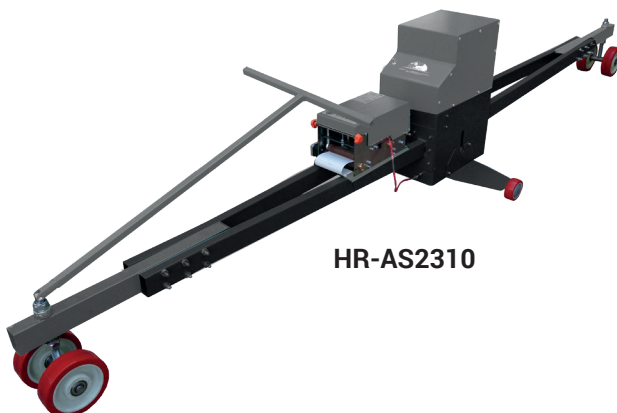
STANDARDS: EN 12697-32, 13280-4, BS 598-104

The 3 meter long Autographic Recording Travelling Beam Device is used to check for any irregularities in both concrete and bituminous road surfaces. A sensing unit comprising a wheel connected to an indicator provides a magnification of 4:1.

Deviation of the surface from a straight-line is shown on a scale calibrated in increments of 2 mm in the 0-10 mm range and 5 mm increments in the 10-25 mm range. A dye-marker is fitted which may be used to identify suspect areas. Outrigger wheels provide mobility on site. The device is supplied as three sub-assemblies which are quickly assembled on site.

The Travelling Beam is supplied fitted with an autographic recorder providing a permanent record of the surface profile. Records up to 1 km can be recorded on the special chart paper rolls used.

Wooden box should be ordered separately.



HR-AS2310

Technical Specifications:

Product Code	Product Name	Dimensions (cm)	Weight (kg)
HR-AS2310	Autographic Recording Travelling Beam Device	33x180x60	55

Spare Parts & Accessories:

Product Code	Product Name
HR-AS2310/1	Special chart paper rolls
HR-AS2310/2	Wooden Box

RATE OF SPREAD SPRING BALANCE

STANDARDS: EN 12272-1, EN 12274-4, BS 598:108

This simple equipment use to determine the rate of spread of binder on the surface of the road.

The equipment consists of a metal 300 mm square tray, which can be lifted by means of four chains. The chains are attached to a balance and the rate of spread can be assessed by a balance.

Strength Capacity is up to 16 kg/m² and Readability is 0.5 kg/m². It is calibrated to give direct reading in kg/ m².



HR-AS2355 with HR-AS2356

Technical Specifications:

Product Code	Product Name	Dimensions (mm)	Weight (kg)
HR-AS2355	Spread Spring Balance	33x180x60	0,2
HR-AS2356	Metal Tray with Chain	300x300x25	0,4